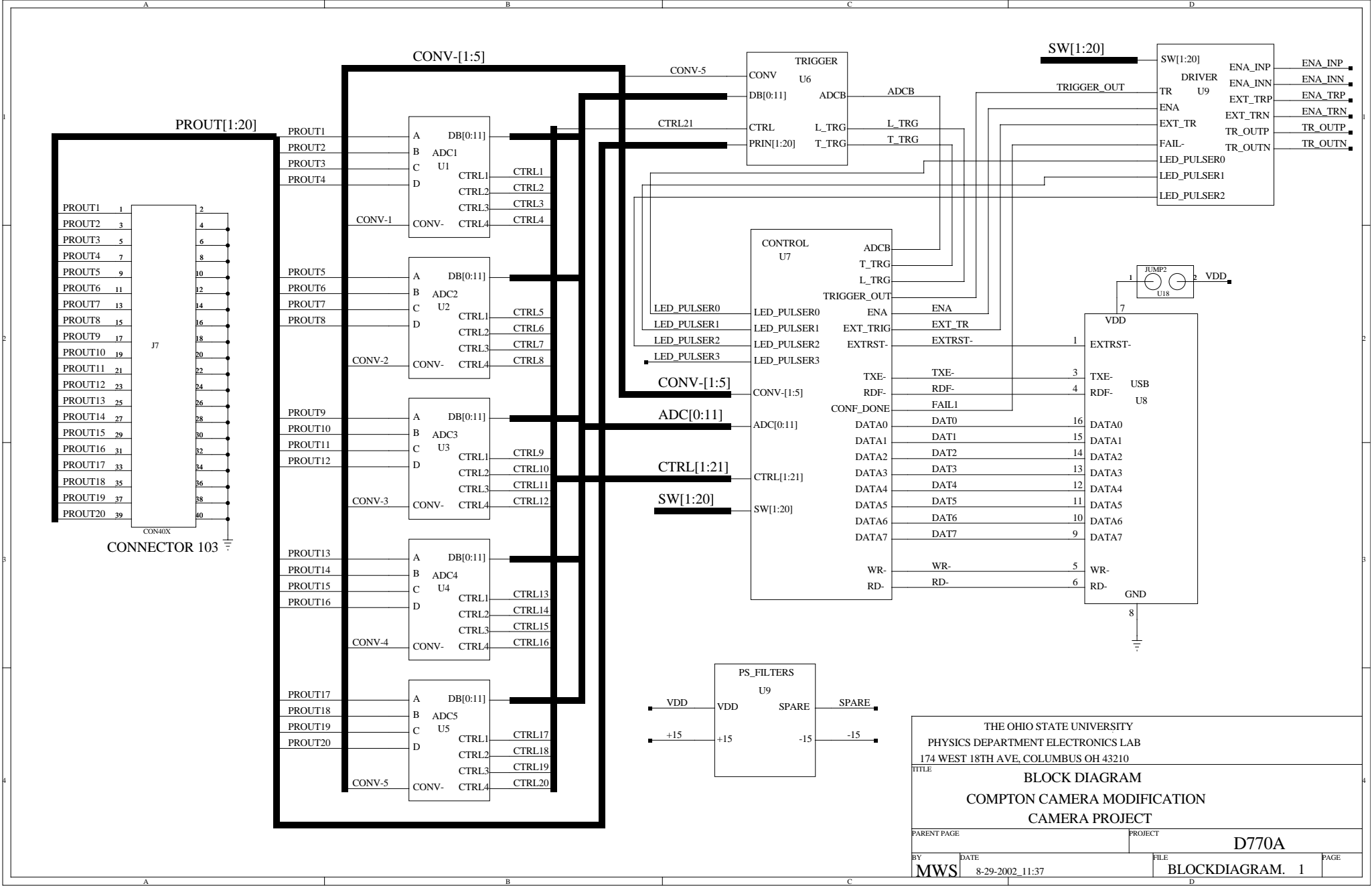


D770A

COMPTON CAMERA MODIFICATION

BLOCKDIAGRAM

ELECTRONICS LAB  
PHYSICS DEPARTMENT  
THE OHIO STATE UNIVERSITY  
174 WEST 18TH AVE  
COLUMBUS OHIO 43210

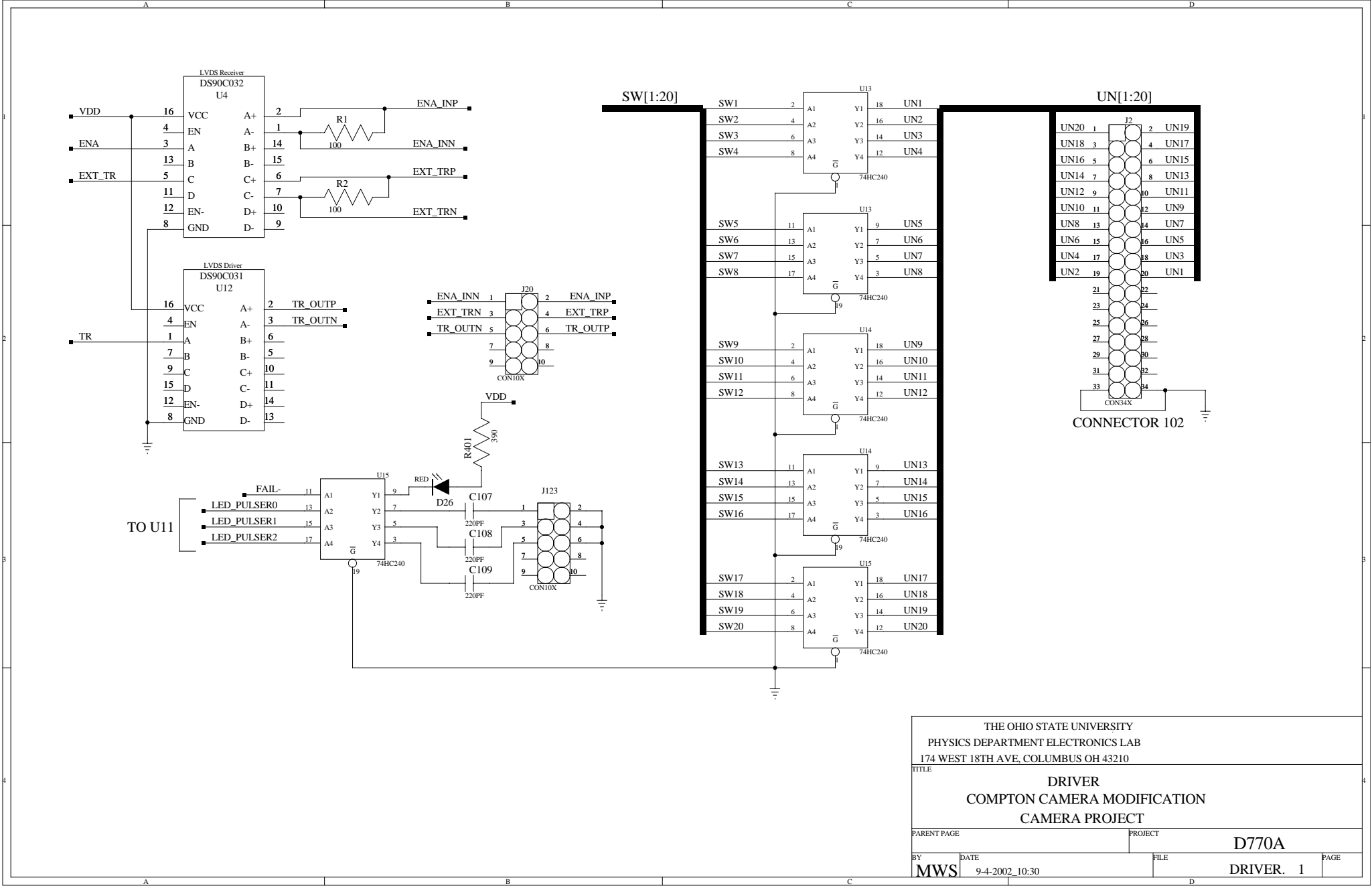


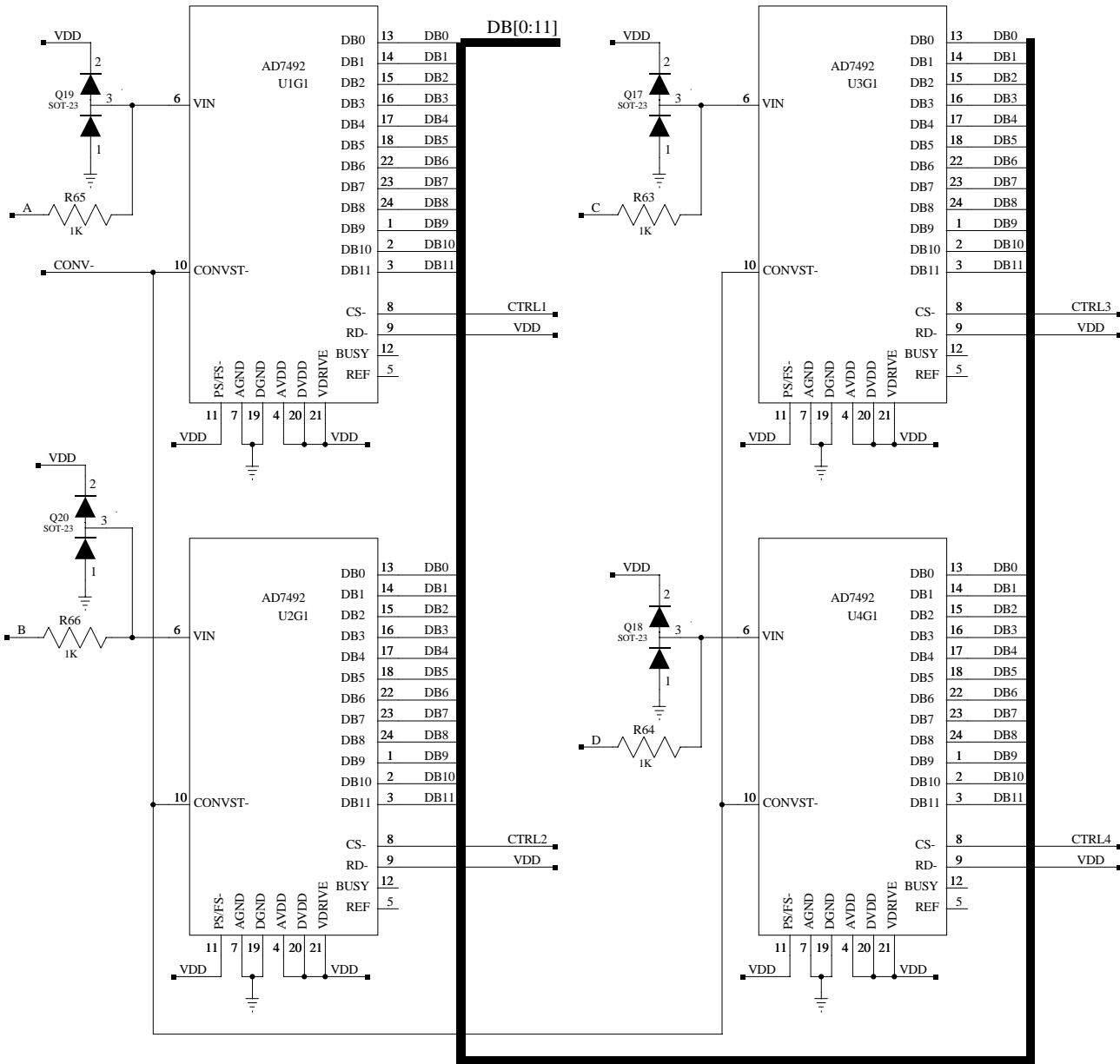
THE OHIO STATE UNIVERSITY  
 PHYSICS DEPARTMENT ELECTRONICS LAB  
 174 WEST 18TH AVE. COLUMBUS OH 43210

TITLE  
**BLOCK DIAGRAM**  
**COMPTON CAMERA MODIFICATION**  
**CAMERA PROJECT**

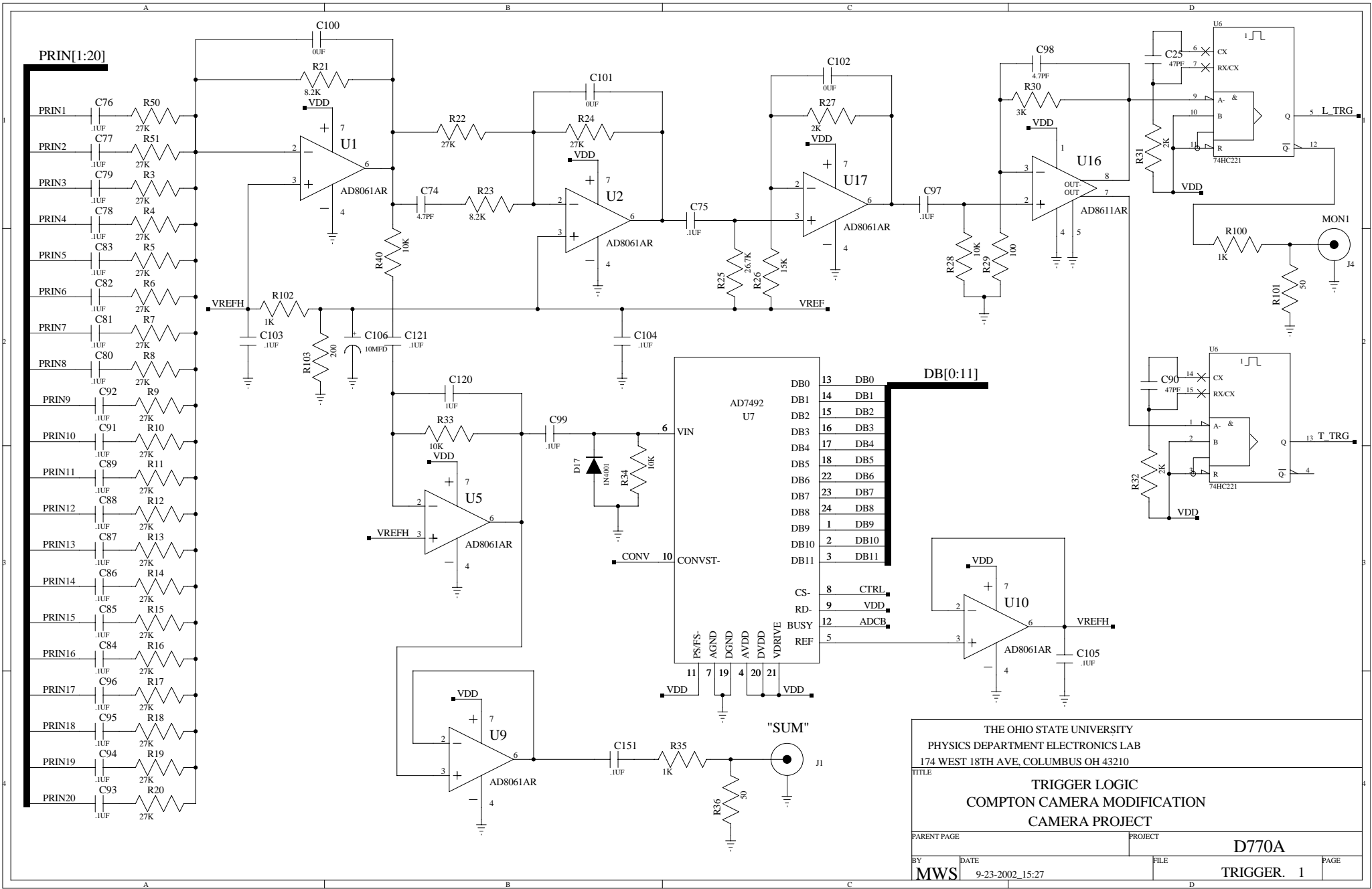
PARENT PAGE PROJECT  
 D770A

BY DATE FILE PAGE  
 MWS 8-29-2002\_11:37 BLOCKDIAGRAM. 1





THE OHIO STATE UNIVERSITY			
PHYSICS DEPARTMENT ELECTRONICS LAB			
174 WEST 18TH AVE, COLUMBUS OH 43210			
TITLE			
ADC COMPTON CAMERA MODIFICATION CAMERA PROJECT			
PARENT PAGE		PROJECT	
		D770A	
BY	DATE	FILE	PAGE
MWS	9-4-2002_15:22		ADC1. 1

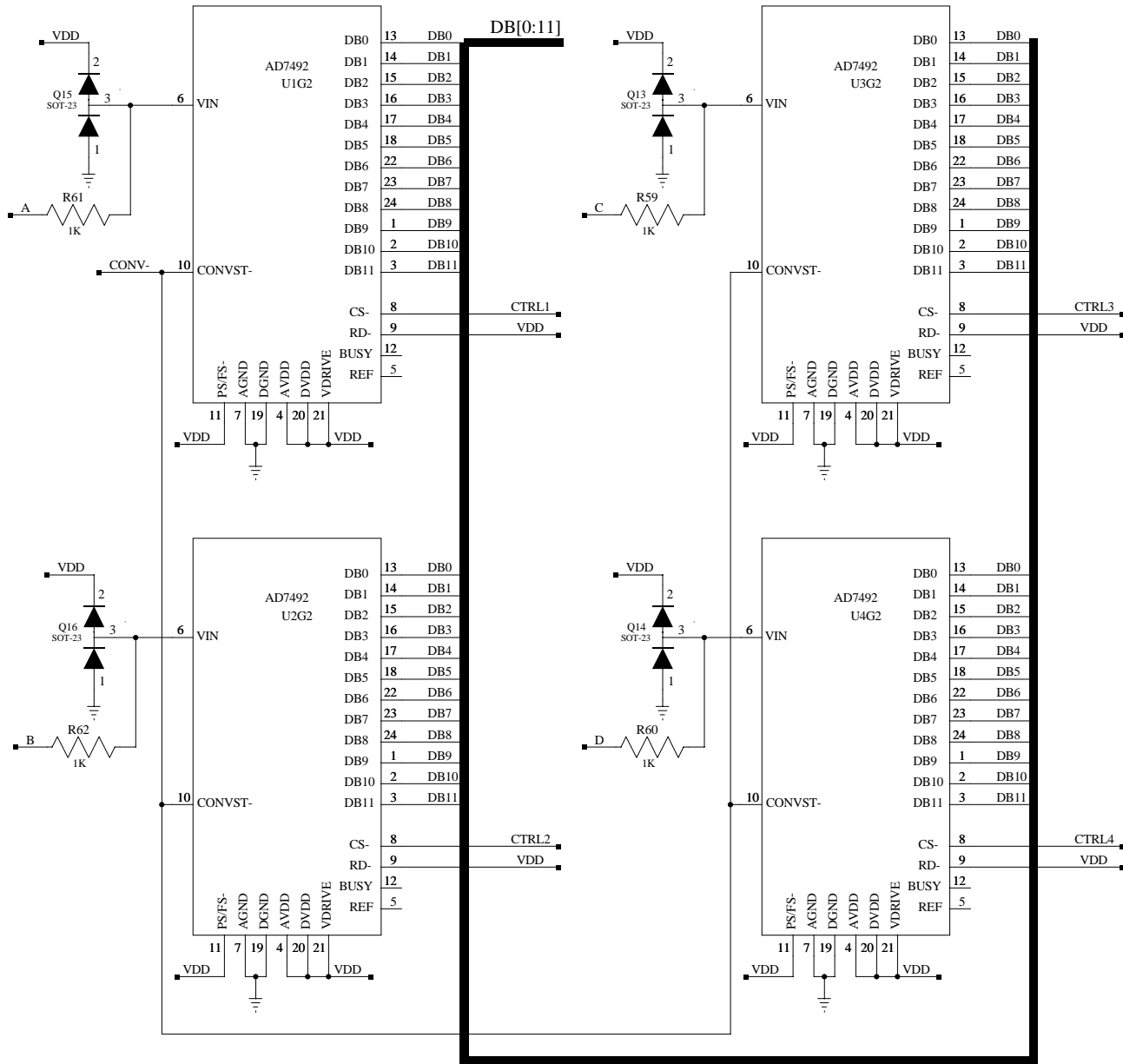


THE OHIO STATE UNIVERSITY  
 PHYSICS DEPARTMENT ELECTRONICS LAB  
 174 WEST 18TH AVE, COLUMBUS OH 43210

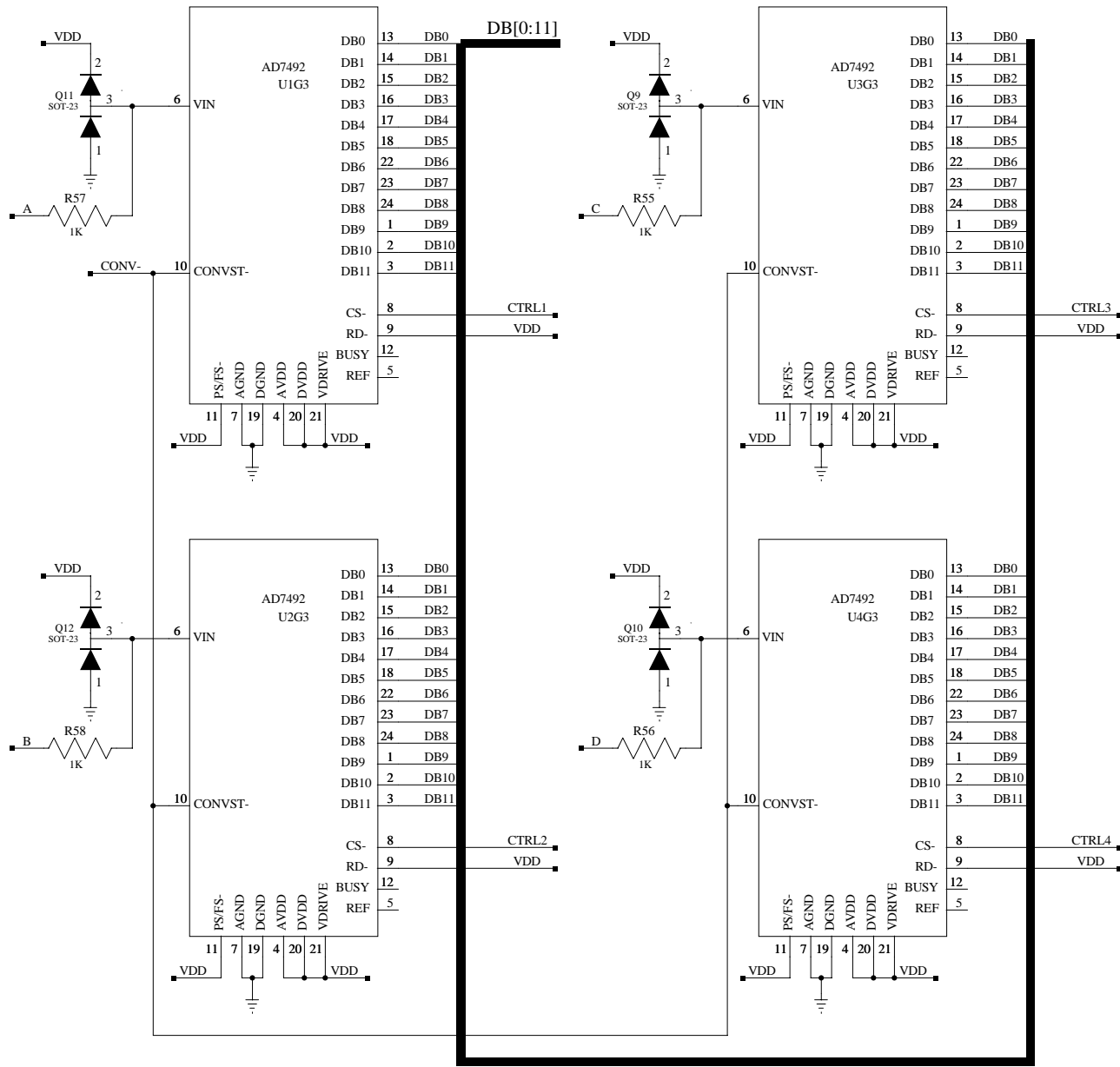
TITLE  
**TRIGGER LOGIC  
 COMPTON CAMERA MODIFICATION  
 CAMERA PROJECT**

PARENT PAGE PROJECT  
**D770A**

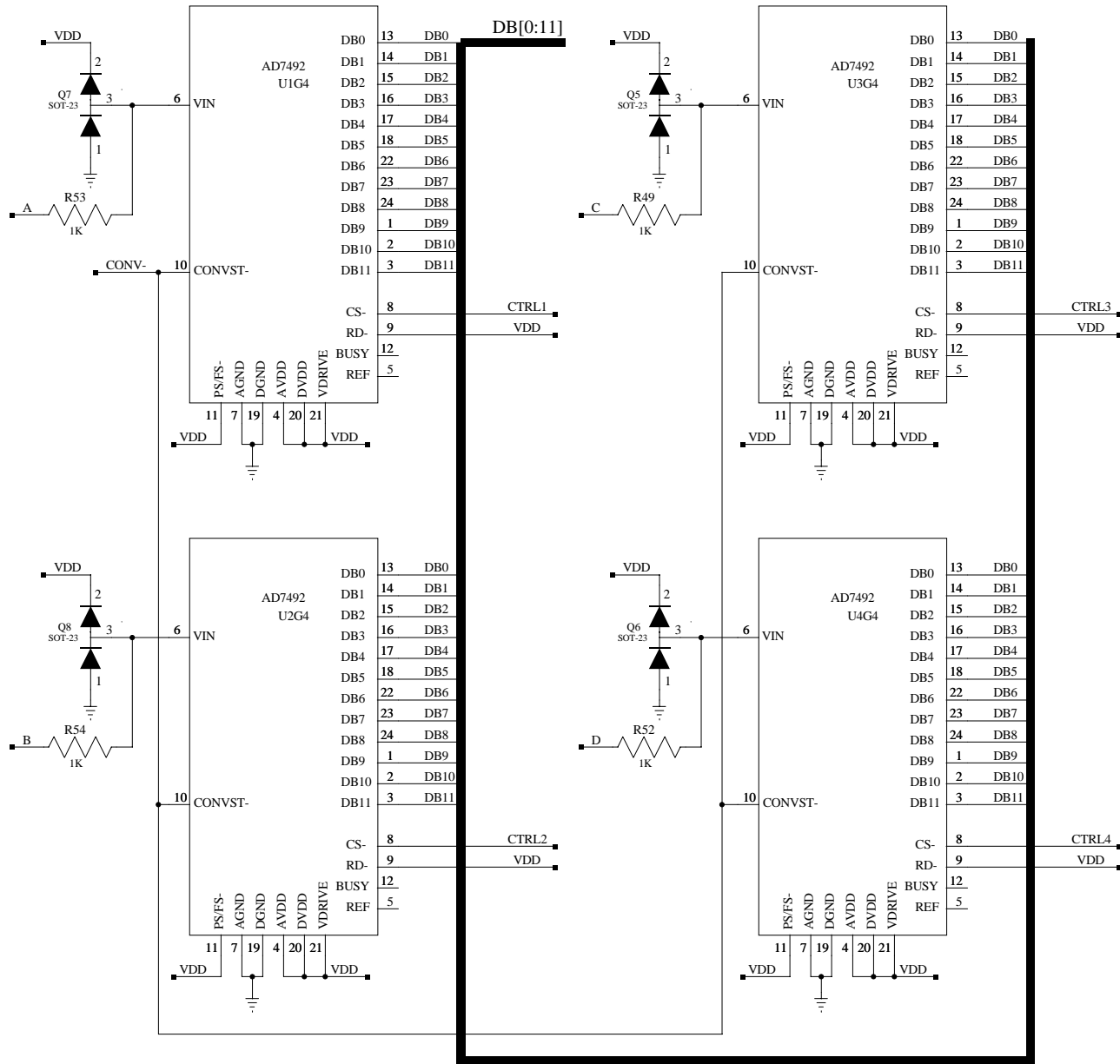
BY DATE FILE PAGE  
**MWS** 9-23-2002\_15:27 TRIGGER. 1



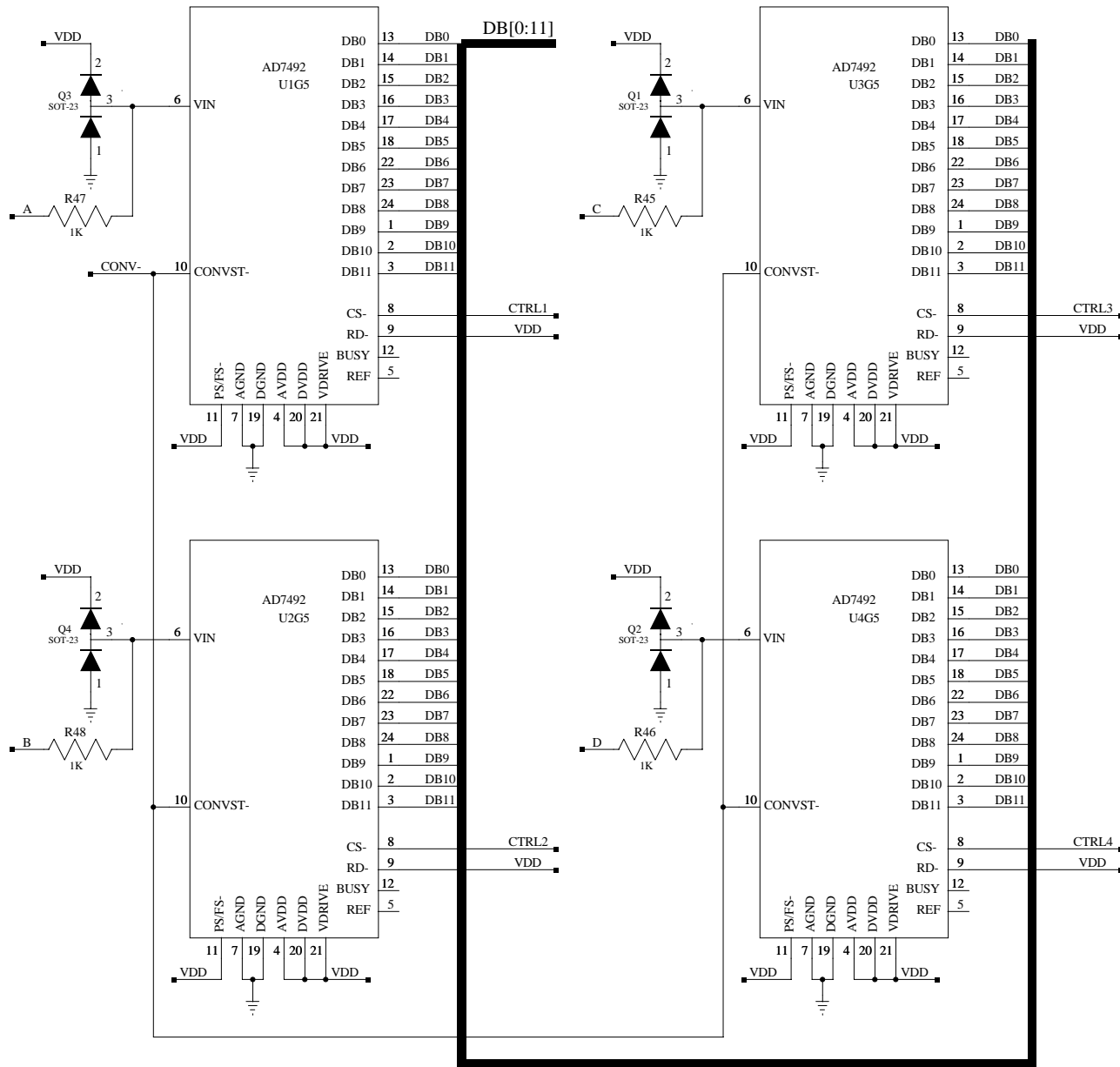
THE OHIO STATE UNIVERSITY PHYSICS DEPARTMENT ELECTRONICS LAB 174 WEST 18TH AVE, COLUMBUS OH 43210			
TITLE <b>ADC COMPTON CAMERA MODIFICATION CAMERA PROJECT</b>			
PARENT PAGE		PROJECT <b>D770A</b>	
BY <b>MWS</b>	DATE 9-3-2002_17:24	FILE	PAGE <b>ADC2. 1</b>



THE OHIO STATE UNIVERSITY			
PHYSICS DEPARTMENT ELECTRONICS LAB			
174 WEST 18TH AVE, COLUMBUS OH 43210			
TITLE			
ADC COMPTON CAMERA MODIFICATION CAMERA PROJECT			
PARENT PAGE		PROJECT	
		D770A	
BY	DATE	FILE	PAGE
MWS	9-3-2002_17:25		ADC3. 1



THE OHIO STATE UNIVERSITY			
PHYSICS DEPARTMENT ELECTRONICS LAB			
174 WEST 18TH AVE, COLUMBUS OH 43210			
TITLE			
ADC			
COMPTON CAMERA MODIFICATION			
CAMERA PROJECT			
PARENT PAGE		PROJECT	
		D770A	
BY	DATE	FILE	PAGE
MWS	9-3-2002_17:26		ADC4. 1



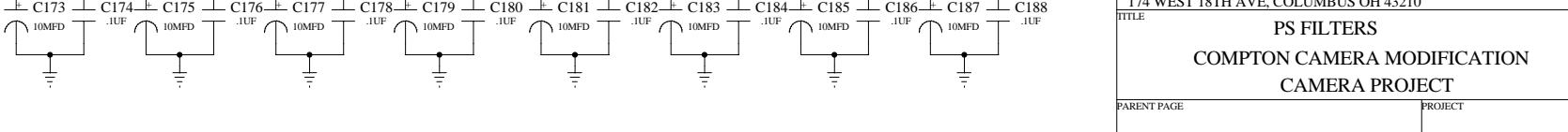
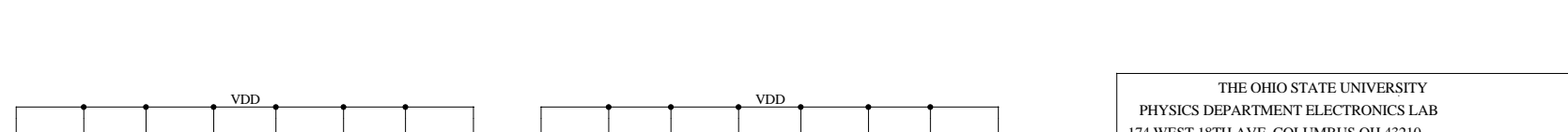
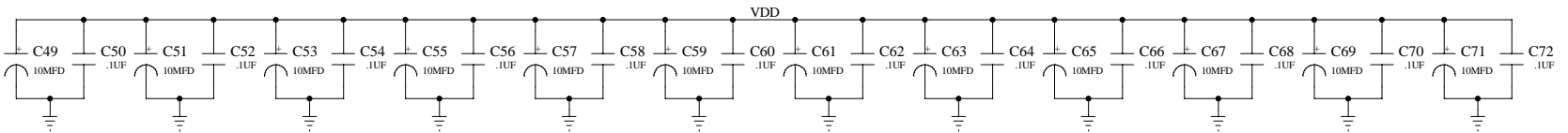
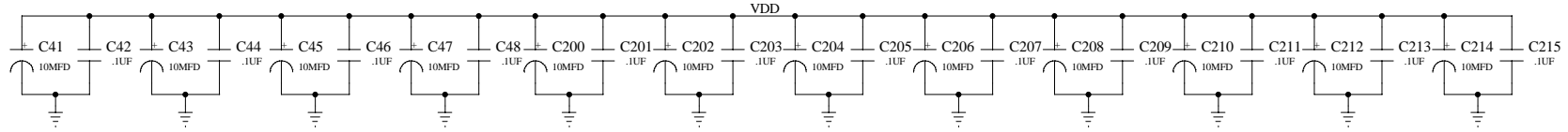
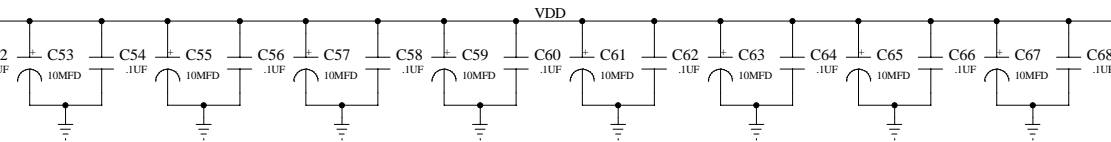
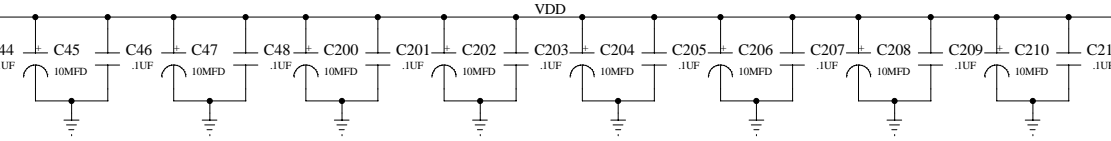
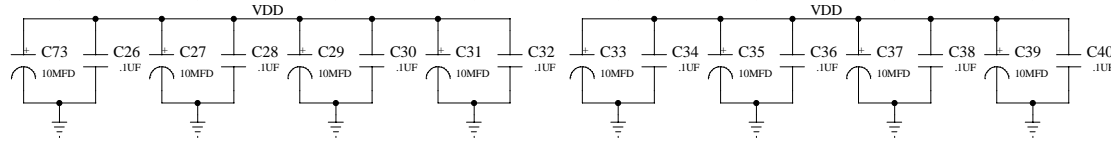
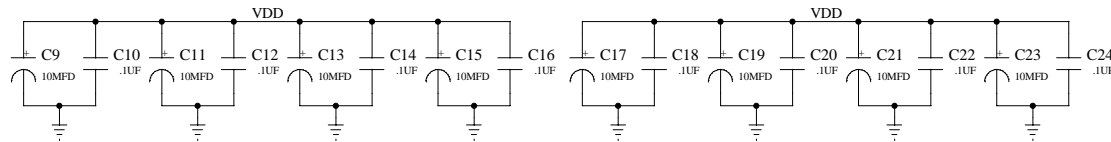
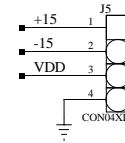
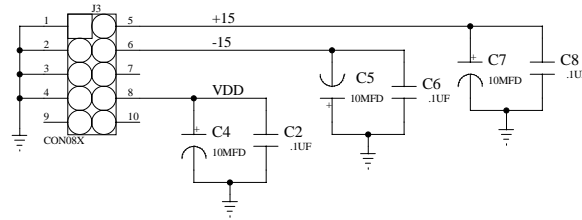
THE OHIO STATE UNIVERSITY			
PHYSICS DEPARTMENT ELECTRONICS LAB			
174 WEST 18TH AVE, COLUMBUS OH 43210			
TITLE			
ADC COMPTON CAMERA MODIFICATION CAMERA PROJECT			
PARENT PAGE		PROJECT	
		D770A	
BY	DATE	FILE	PAGE
MWS	9-3-2002_17:27		ADC5. 1

A

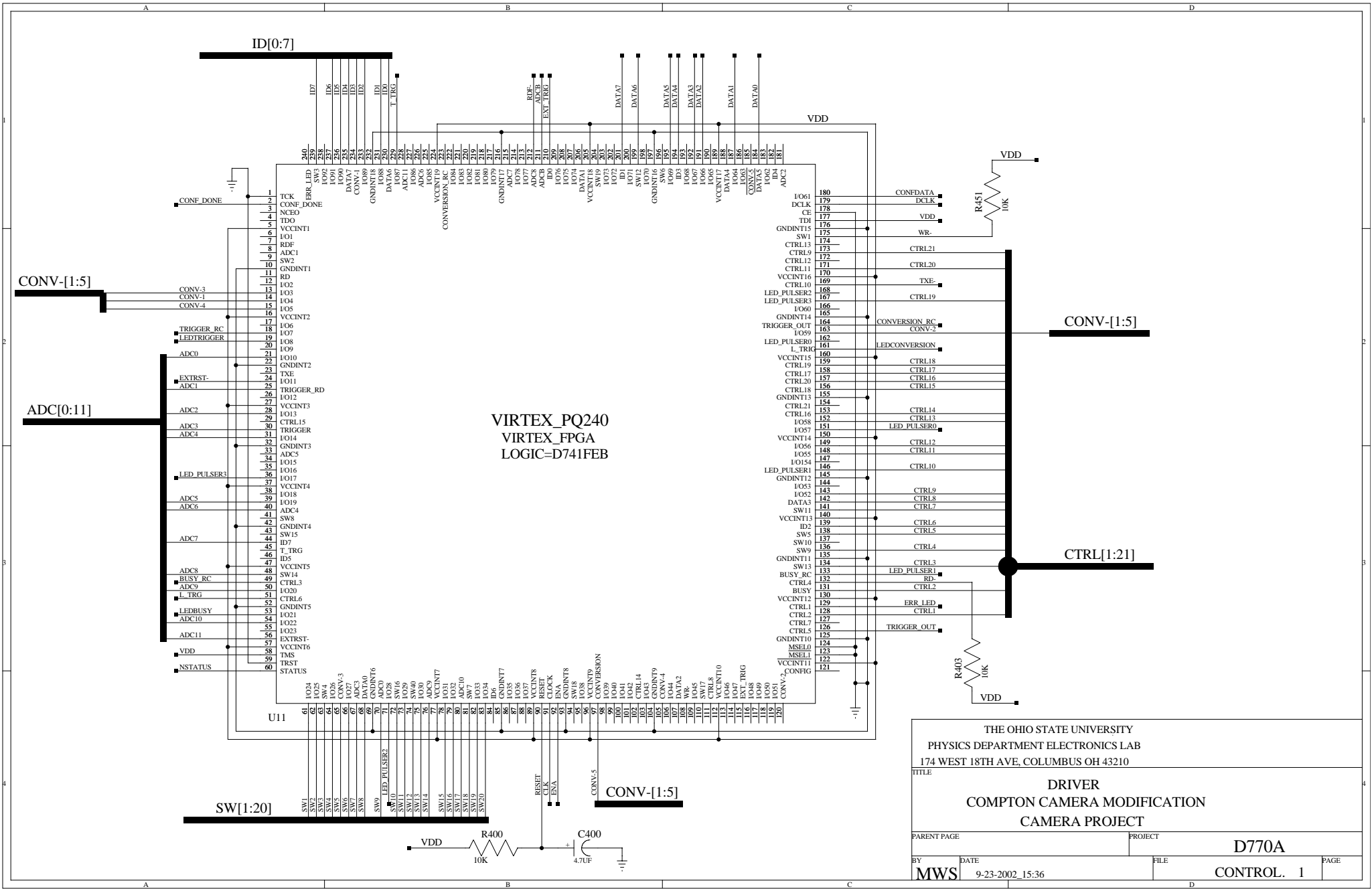
B

C

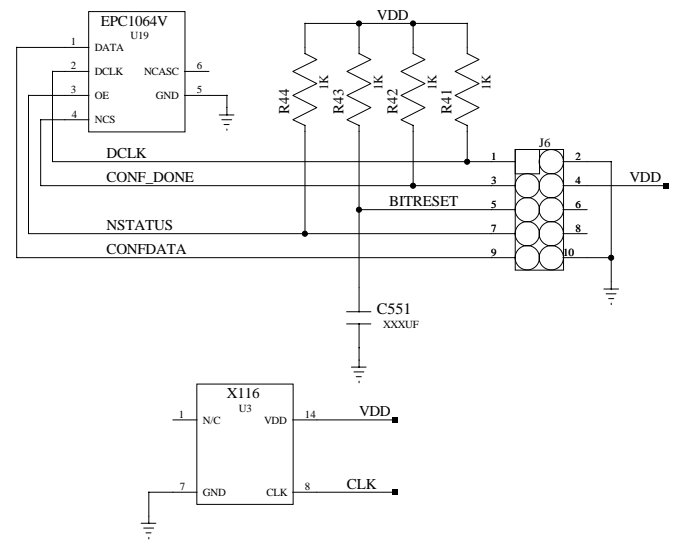
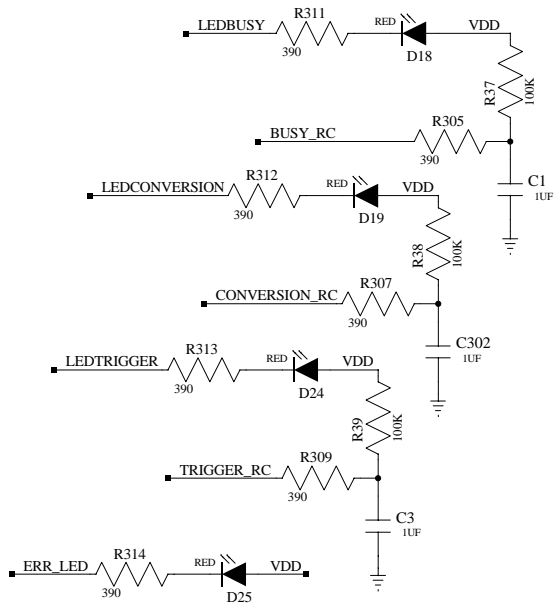
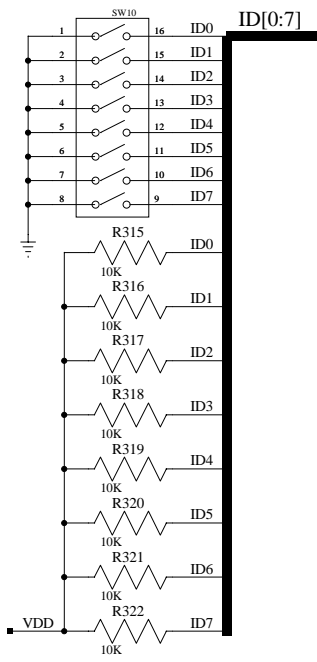
D



THE OHIO STATE UNIVERSITY PHYSICS DEPARTMENT ELECTRONICS LAB 174 WEST 18TH AVE. COLUMBUS OH 43210			
TITLE <b>PS FILTERS COMPTON CAMERA MODIFICATION CAMERA PROJECT</b>			
PARENT PAGE		PROJECT	
		<b>D770A</b>	
BY	DATE	FILE	PAGE
<b>MWS</b>	9-5-2002_17:06	<b>PS_FILTERS.</b>	<b>1</b>



THE OHIO STATE UNIVERSITY PHYSICS DEPARTMENT ELECTRONICS LAB 174 WEST 18TH AVE, COLUMBUS OH 43210 TITLE			
<b>DRIVER COMPTON CAMERA MODIFICATION CAMERA PROJECT</b>			
PARENT PAGE	PROJECT		<b>D770A</b>
BY	DATE	FILE	PAGE
<b>MWS</b>	9-23-2002_15:36		<b>CONTROL. 1</b>



THE OHIO STATE UNIVERSITY			
PHYSICS DEPARTMENT ELECTRONICS LAB			
174 WEST 18TH AVE, COLUMBUS OH 43210			
TITLE			
DRIVER COMPTON CAMERA MODIFICATION CAMERA PROJECT			
PARENT PAGE		PROJECT	
		D770A	
BY	DATE	FILE	PAGE
MWS	9-4-2002_10:31	CONTROL.	2